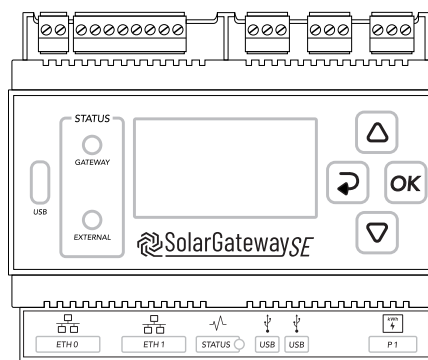


SolarGatewaySE

Smart Energy Management System



Specification	SolarGatewaySE A010	SolarGatewaySE A010-POE
Device management		
Max. Number of Manageable devices	250 ¹	
Communication interfaces		
LAN	1x 10/100/1000Mbps 1x 10/100Mbps	1x 10/100/1000Mbps (POE) 1x 10/100Mbps
RS485	3x Max. 4Mbps (Galvanic isolation to DC supply)	
P1 (smart meter)	1x (Galvanic isolation to DC supply)	
Digital Input	2 Isolated inputs (5-32V)	
Digital Output	2 Potential-free contacts	
WiFi	Yes (future implementation)	
Bluetooth	Yes (future implementation)	
USB	2x USB2.0 type A 1x USB-C on front	
User interface		
Display	Graphical display (128x64 pixels, monochrome)	
Buttons	4 For display interaction	
LED	2x RGB on front 1x RGB on base (defined status LED)	
WEB	Yes, via the HUB portal	
Security		
Transport Layer Security	V1.3	
Hardware Security Module	Trusted Platform Module V2.0	
Local Storage Encryption	Yes	
HUB Server Location	Europe	
Security and Feature Software Updates	OTA, USB	
Supported Protocols		
Ethernet	Modbus TCP, custom	
RS485	Modbus RTU, custom	
P1	P1 protocol	
Electrical		
DC Power Supply	12V - 32V	
POE Supply	No	Yes IEEE 802.3at IEEE 802.3bt
Failover Supply	No	Yes, seamless POE/DC
Power Consumption	5W Typical, 20W Max.	
Environment		
Operating Temperature Range	-10°C ~ 50°C	
Storage Temperature	-20°C ~ 70°C	
Relative Humidity (non-condensing)	10% ~ 90%	
Max. Operating Altitude	2500 m	
Mechanical		
Dimensions (W x H x D)	106,2 x 90,0 x 58,0	
Weight	330 gram	350 gram
Protection Degree	IP20	
Installation Options	Wall mounting, DIN rail mounting	

¹May require extra license